

Illuminated Medical Warning Light

SPECIFICATIONS

Mains Powered 240VAC

Acrylic Engraved Sign

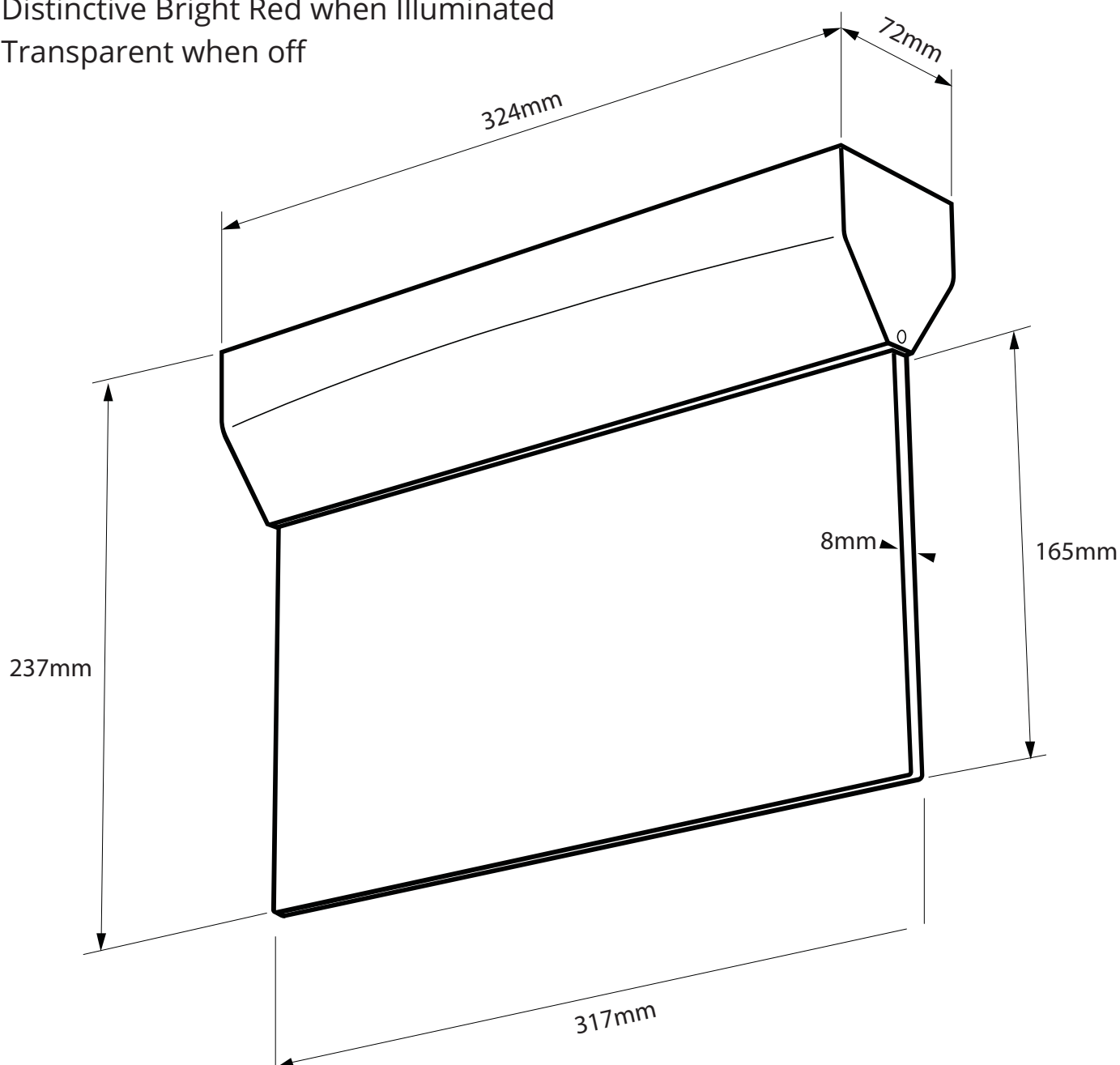
Polycarbonate Frame

Wall or Ceiling Mounted

Energy Efficient LED Illumination

Distinctive Bright Red when Illuminated

Transparent when off



Kilner

ELECTRICS PTY LTD
REC. NO. 10623

DOMESTIC • COMMERCIAL • MEDICAL • INDUSTRIAL

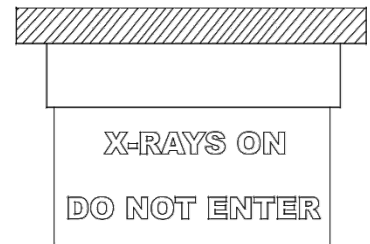
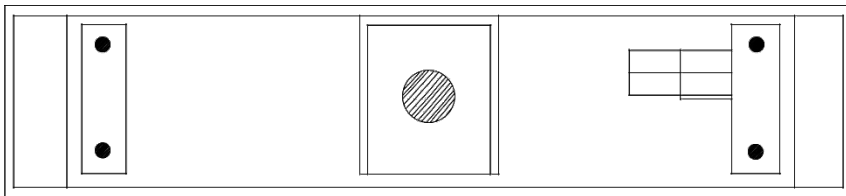
Phone: 0418 179 200

www.kilnerelectrics.com.au

INSTALLATION

Ceiling Mounted (Upper Bracket)

Note: 240VAC Input required.

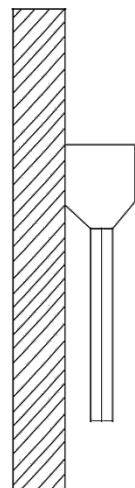
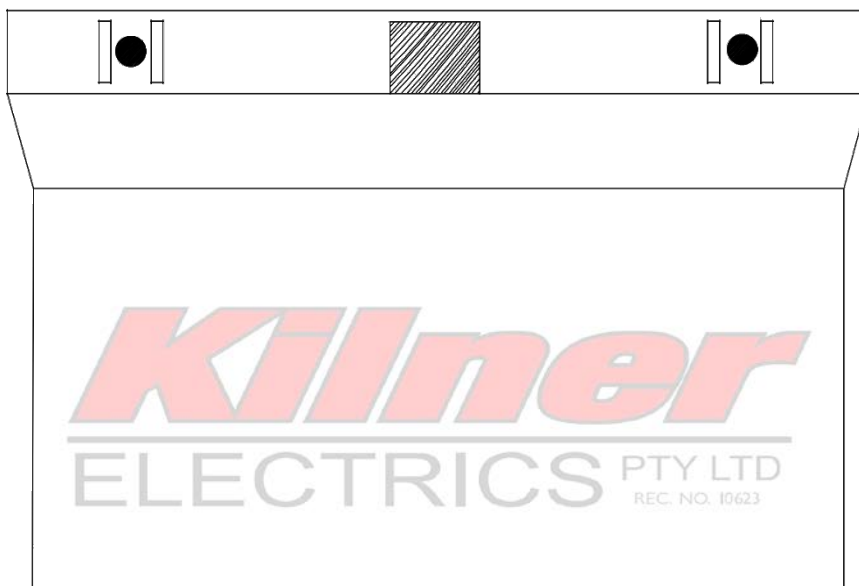


4 holes with screws fix the bracket to the ceiling.

Wiring enters through centre hole.

Note: Cap and screw for front of bracket is located under top bracket.

Wall Mounted (Side Bracket)



Drill holes where indicated with black shading, fix to wall with screws.

Cut the square shape out in the centre and enter wiring through here.